

# Retarder Proofer Cabinets

## Large Capacity

■ Appliances of the AFG range are retarder proofer cabinets with a large capacity, designed to receive trays, grids or meshes of size 400x600, 400x800, 430x800 and 600x800.

■ The AFG range consists of :

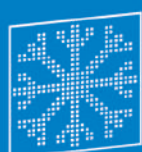
4 models of one door and one compartment : **AFG 46**, **AFG 48**, **AFG 438** and **AFG 68**.



■ In the standard version, each model is equipped with a humidity generator, with an electronic humidity probe and stainless steel 304 protection inside

■ Panels insulated with polyurethan foam  $42\text{kg} / \text{m}^3$ , high pressure, 60mm thickness, food grade PVC coating (delivered fully assembled, dismantled on request)

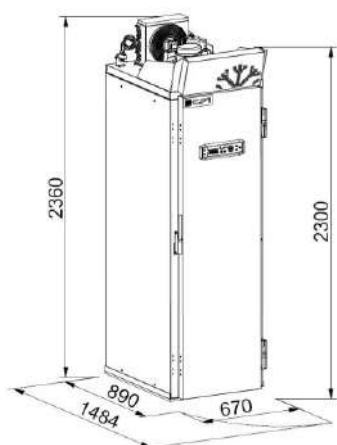
■ Insulating and anti-skid ground, 15mm thickness



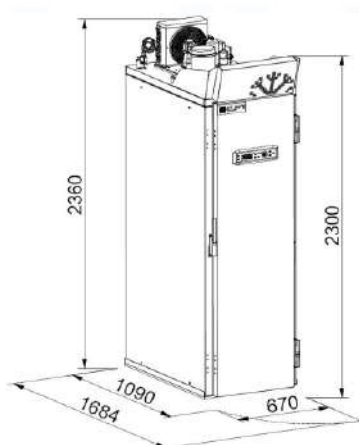
**CFI**

Le froid maîtrisé

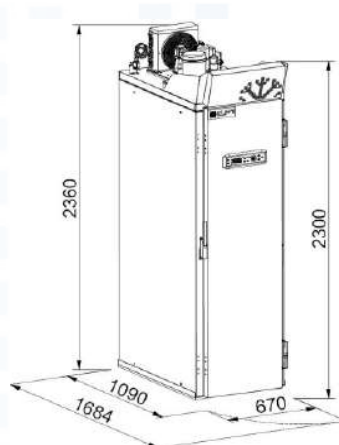
## TECHNICAL DATAS



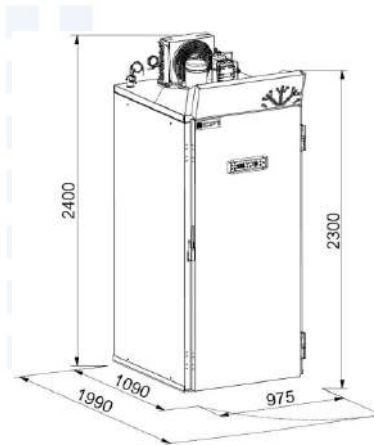
**AFG 46 ICIP**



**AFG 48 ICIP**



**AFG 438 ICIP**



**AFG 68 ICIP**

	AFG 46	AFG 48	AFG 438	AFG 68
Size of supports	400 x 600	400 x 800	430 x 800	400 x 600 (or 600 x 800)
Support entry direction	400	400	430	600
N° of supports per level	1	1	1	2 x (400x600) or 1 x 600x800
Total n° of supports	32	28	28	64
N° of doors	1	1	1	1
N° of levels	32	28	28	32
Spacing out of levels	55 mm	63 mm	63 mm	55 mm
Adjustable every	27,5 mm	21 mm	21 mm	27,5 mm
Level depth	600	800	800	800
Refrigerating unit	3/8 CV	1/2 CV	1/2 CV	7/8 CV
Refrigerating capacity at -10°C	0,6 KW	0,88 KW	0,88 KW	1,3 KW
Fluid	R404A	R404A	R404A	R404A
Voltage	220-240V ~ IPH+N+T			
Frequency	50 HZ	50 HZ	50 HZ	50 HZ
Connecting electrical power	1,7 KW	1,7 KW	1,7 KW	2,2 KW
Connection	8 A	8 A	8 A	10 A