

Retarder Proofer Cabinets

Junior

■ Appliances of the AFJ range are retarder proofer cabinets, reduced in height compared to the AFB range and designed to receive trays, grids or meshes of size 400x600, 430x800, 400x800 and 600x800.

■ The AFJ range consists of :

4 models of one door and one compartment : **AFJ 46**, **AFJ 48**, **AFJ 438** and **AFJ 68**.



■ In the standard version, each model is equipped with a humidity generator with electronic humidity probe

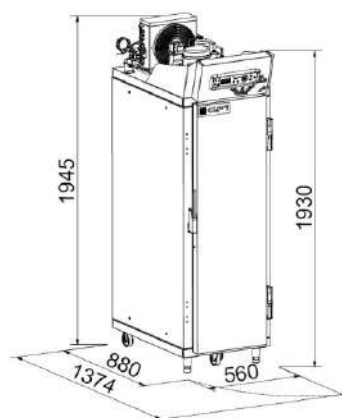
■ Panels insulated with polyurethane 42kg / m³, high pressure, 60mm thickness, food grade PVC coating (delivered fully assembled, dismantled on request)



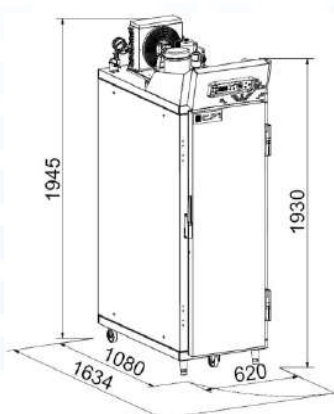
CFI

Le froid maîtrisé

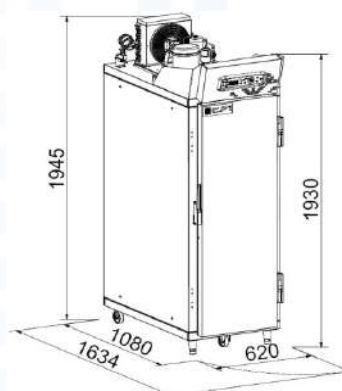
TECHNICAL DATAS



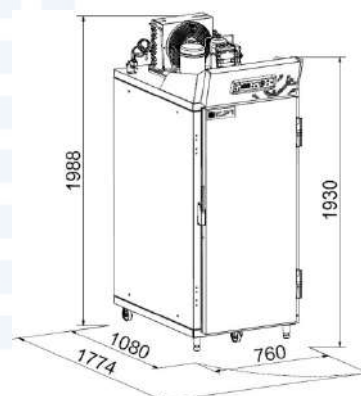
AFJ 46 ICIP



AFJ 48 ICIP



AFJ 438 ICIP



AFJ 68 ICIP

	AFJ 46	AFJ 48	AFJ 438	AFJ 68
Size of supports	400 x 600	400 x 800	430 x 800	600 x 800
Support entry direction	400	400	430	600
N° of supports per level	1	1	1	1
Total n° of supports	20	20	20	20
N° of doors	1	1	1	1
N° of levels	20	20	20	20
Spacing out of levels	63 mm	63 mm	63 mm	63 mm
Adjustable every	21 mm	21 mm	21 mm	21 mm
Level depth	600	800	800	800
Refrigerating unit	1/4 CV	3/8 CV	3/8 CV	1/2 CV
Refrigerating capacity at -10°C	0,45 KW	0,74 KW	0,74 KW	0,88 KW
Fluid	R404A	R404A	R404A	R404A
Voltage	220-240V ~IPH+N+T			
Frequency	50 HZ	50 HZ	50 HZ	50 HZ
Connecting electrical power	0,9 KW	0,9 KW	0,9 KW	1,3 KW
Connection	5 A	5 A	5 A	6 A
Pouring	-	17 Litres	17 Litres	32 Litres